

# Interlock® Slate and Shingle Specification Manual



Interlock® Slate design

Interlock® Shingle design

## Interlock®

Interlock Shingle is a four way interlocking aluminum roofing system. Each shingle is embossed with a heavy grain texture, coated with Alunar® applied under heat to provide an extremely durable and attractive surface. A complete range of color-matching trims are available.

The most distinctive feature of the Interlock shingle is its interlocking design. Each shingle has an interlocking edge on all four sides, as well as being nailed to the roof surface.

The Interlock Roofing System comes complete with a 50 Year Transferable Non-Prorated Lifetime Limited Warranty.

It provides great advantages over conventional roofing, for the following reasons:

## Cost Effective

When fully installed, the Interlock Roofing System helps keep your home warm in the winter and cool in the summer, and so helps to lower your energy costs.

## Curb Appeal

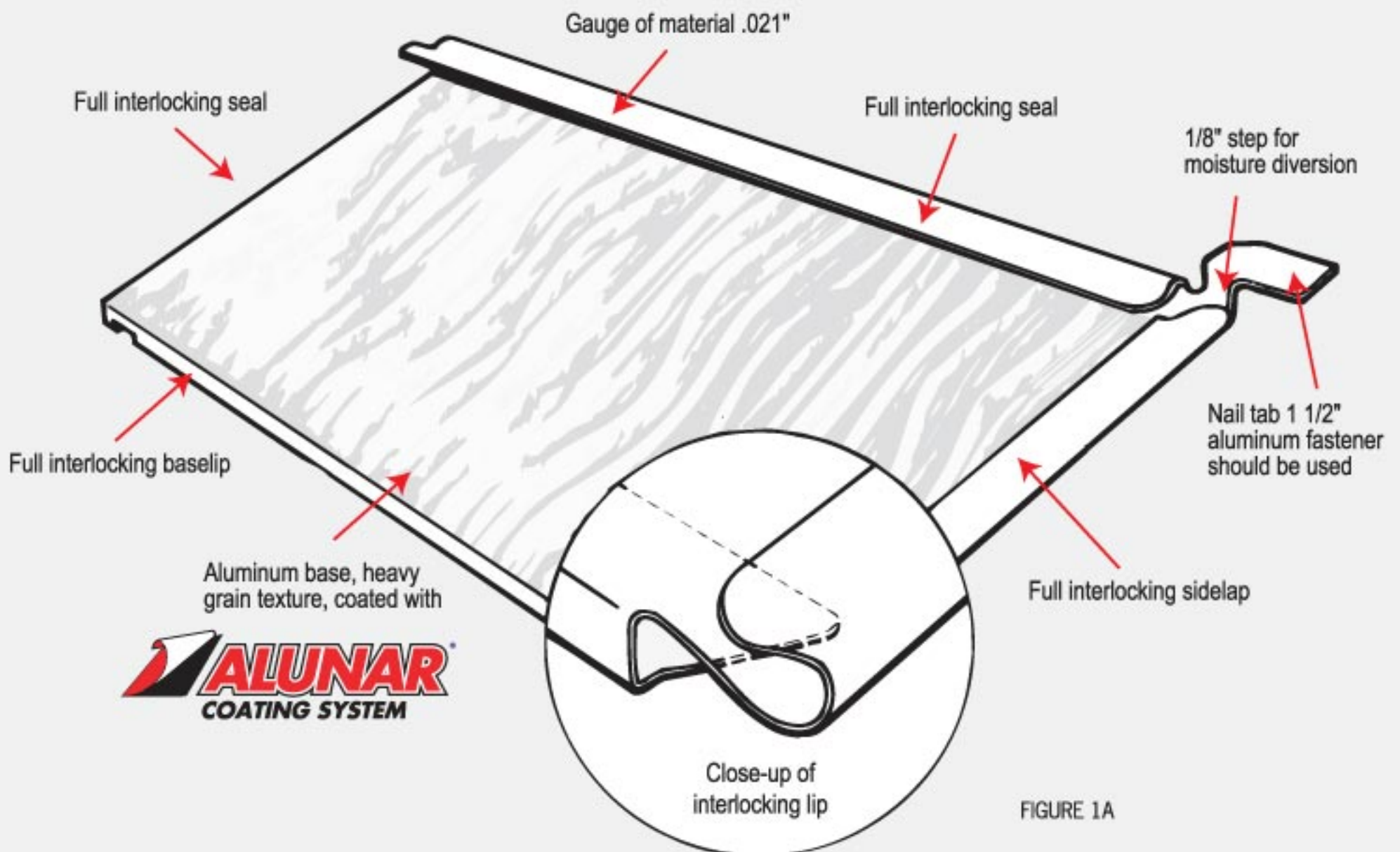
Unique heavy grain texture makes it attractive. Nine vibrant colors are available.

## Durability

Unique design provides incredible strength and protects against severe weather. Aluminum roofs have been known to last over 100 years.

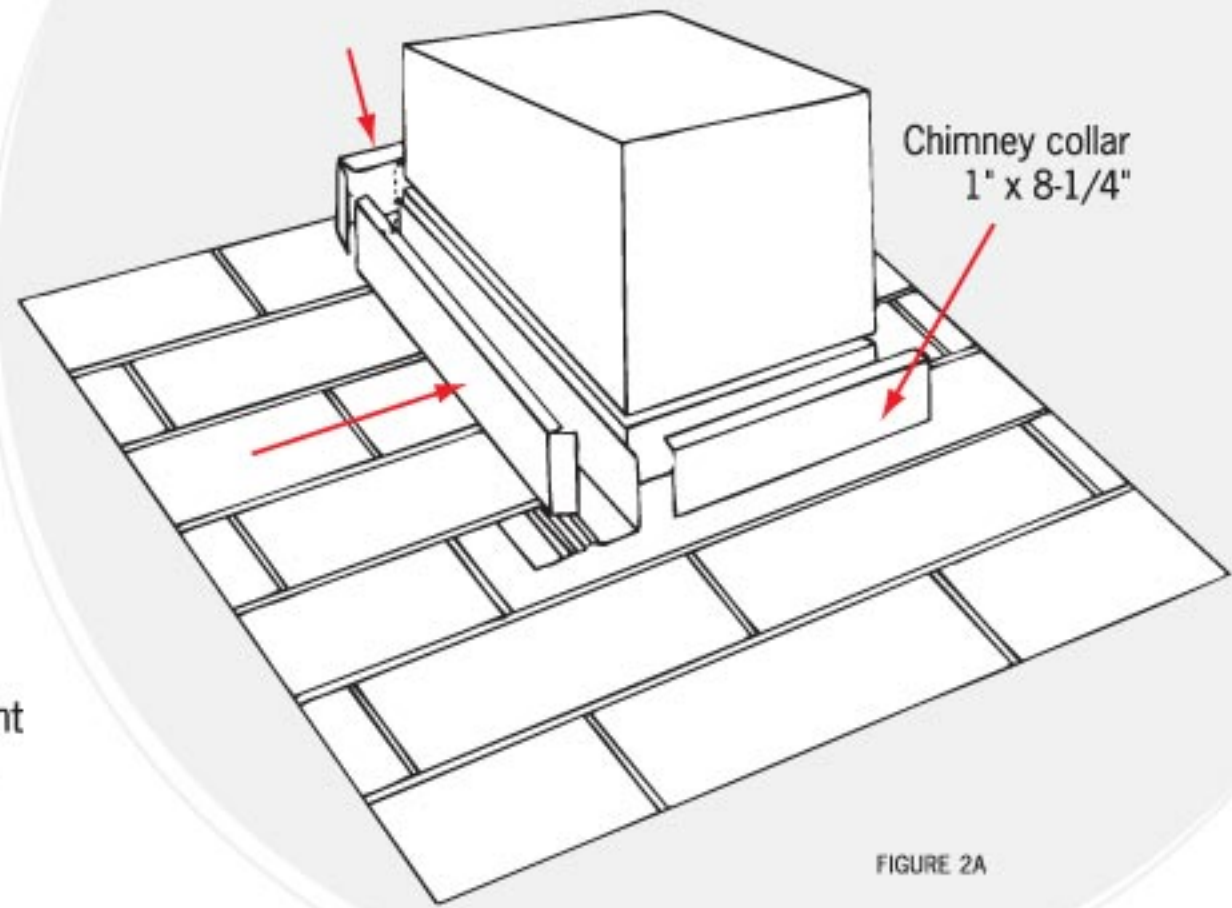
## Virtually Maintenance Free:

The inorganic nature of the product means that leaves and other debris will not adhere to the roof surface.



## Chimney Collar FIGURE 2A ▶

Is inserted into grooves, cut into the mortar and brick, used in accordance with end wall and side wall trims to create a weather-tight seal around the chimney.



## Pitch FIGURE 2B ▼

The minimum pitch roof angle should not be less than 3 in 12.

## Trusses FIGURE 2B ▼

Significant cost reductions can be effected in specifying Interlock roof shingles, as the weight factor is considerably less than a conventional roof.

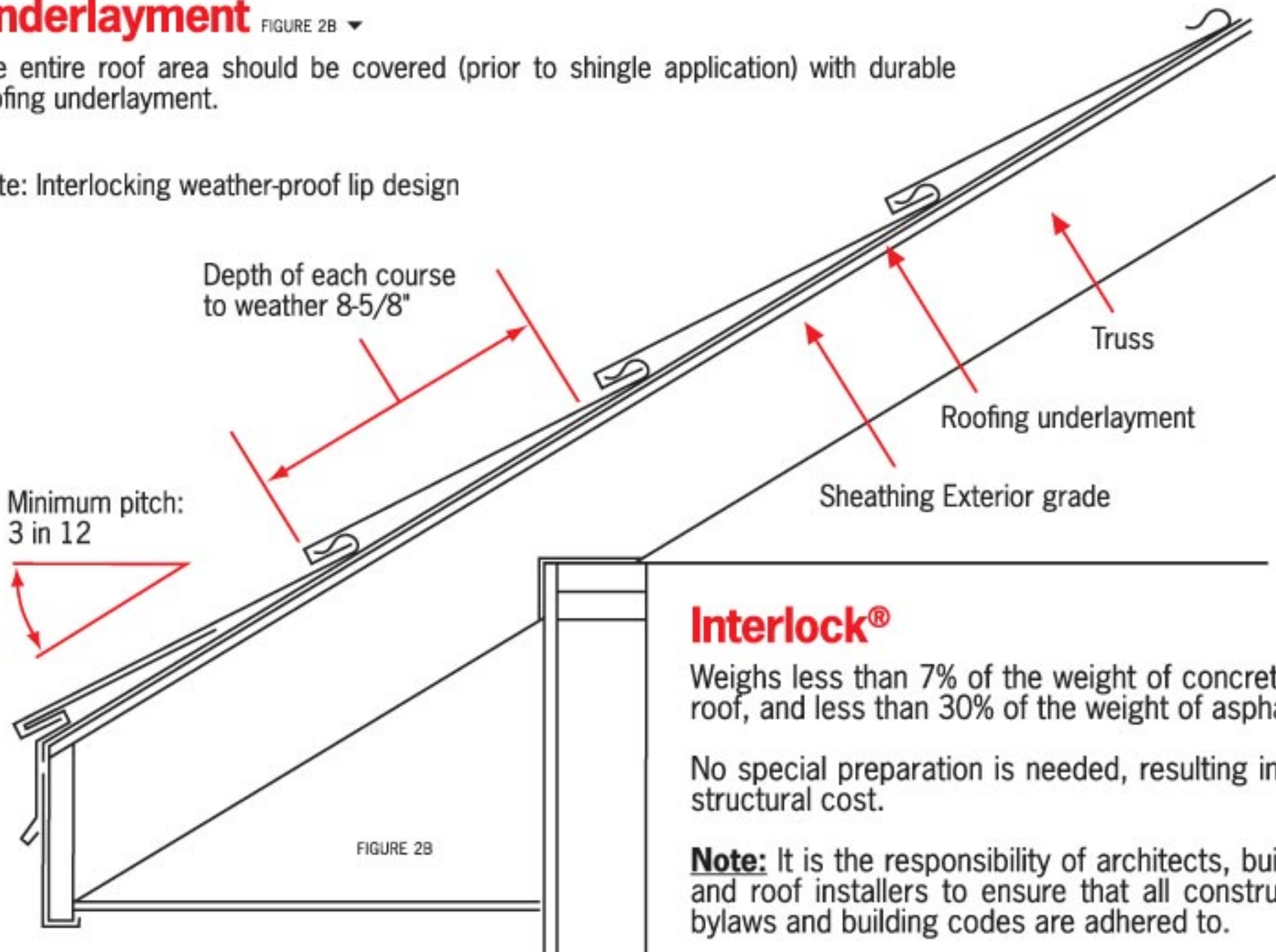
## Sheathing FIGURE 2B ▼

On 24" centers, sheathing for the roof should not be less than 1/2". On 16" centers, sheathing should not be less than 3/8". Interlock may be applied over any sheathing or ship-lap.

## Underlayment FIGURE 2B ▼

The entire roof area should be covered (prior to shingle application) with durable roofing underlayment.

Note: Interlocking weather-proof lip design



### Interlock®

Weighs less than 7% of the weight of concrete tile roof, and less than 30% of the weight of asphalt.

No special preparation is needed, resulting in less structural cost.

**Note:** It is the responsibility of architects, builders and roof installers to ensure that all construction bylaws and building codes are adhered to.

## Ridge Cap

Flexible, fits any ridge or hip roof angle. Secured with aluminum fasteners.

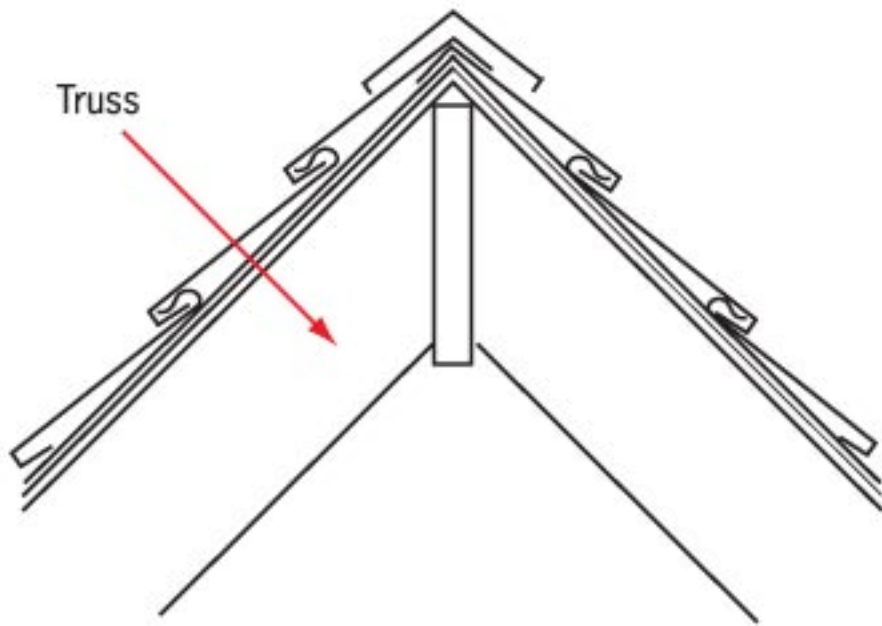


FIGURE 3A

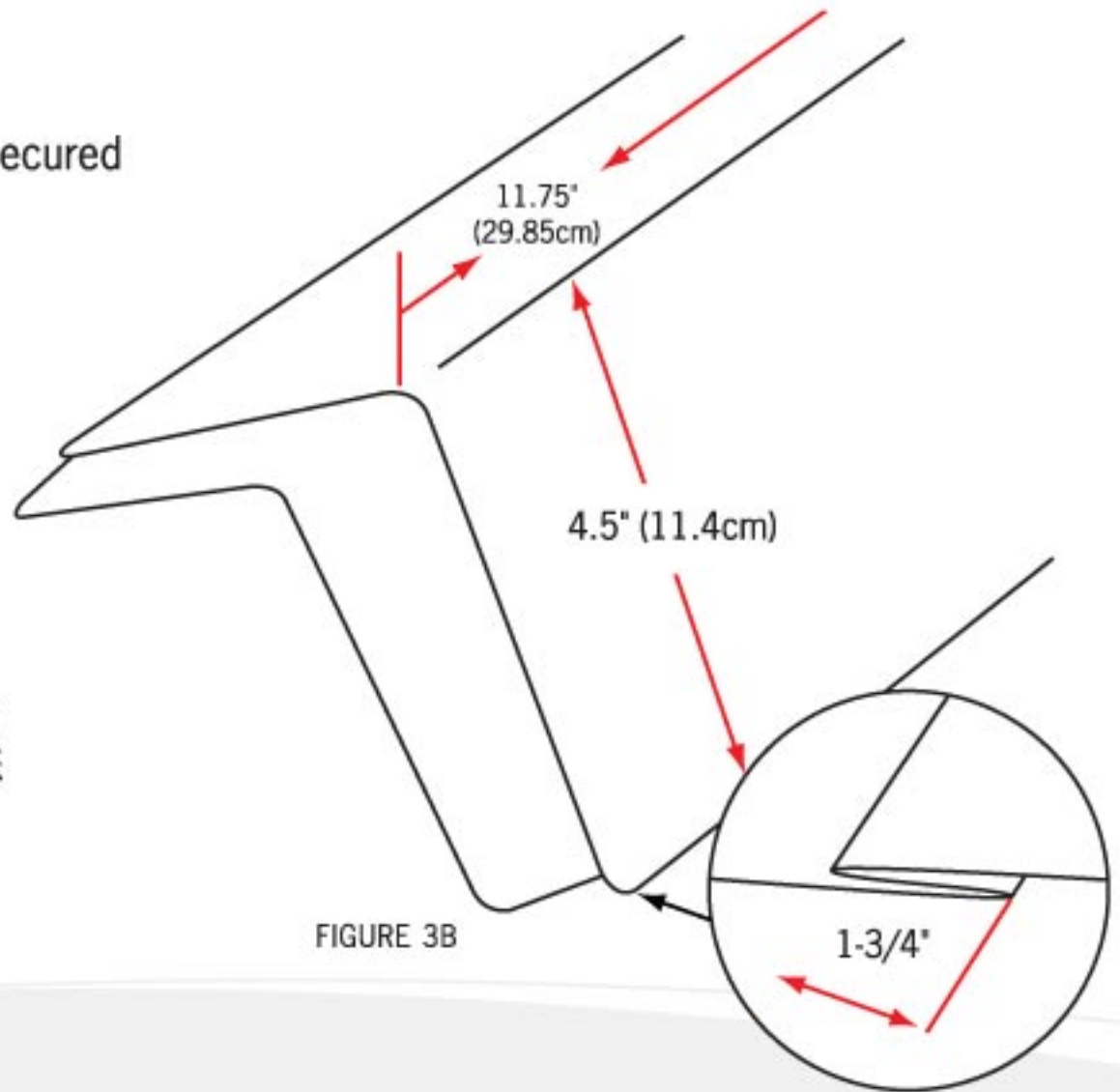


FIGURE 3B

**Design Flexibility** May be applied to arched or curved surfaces. Will adapt to any roof line.

Weather sealed interlocking joints

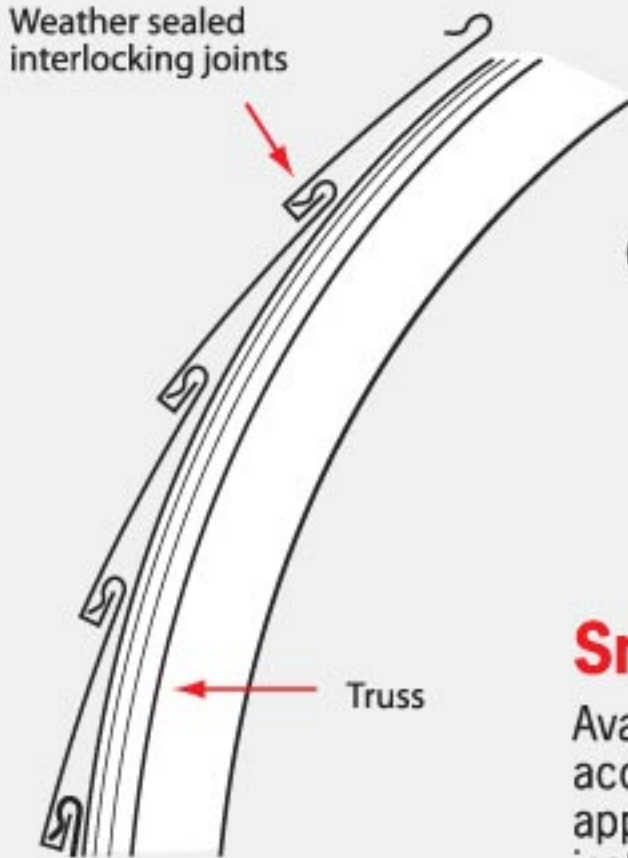


FIGURE 3C

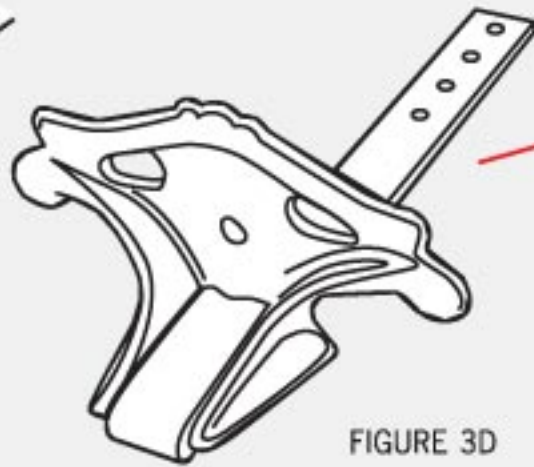


FIGURE 3D

## Snow Guards

Available in a variety of colors to accent your roof, and are applied during the shingle installation.

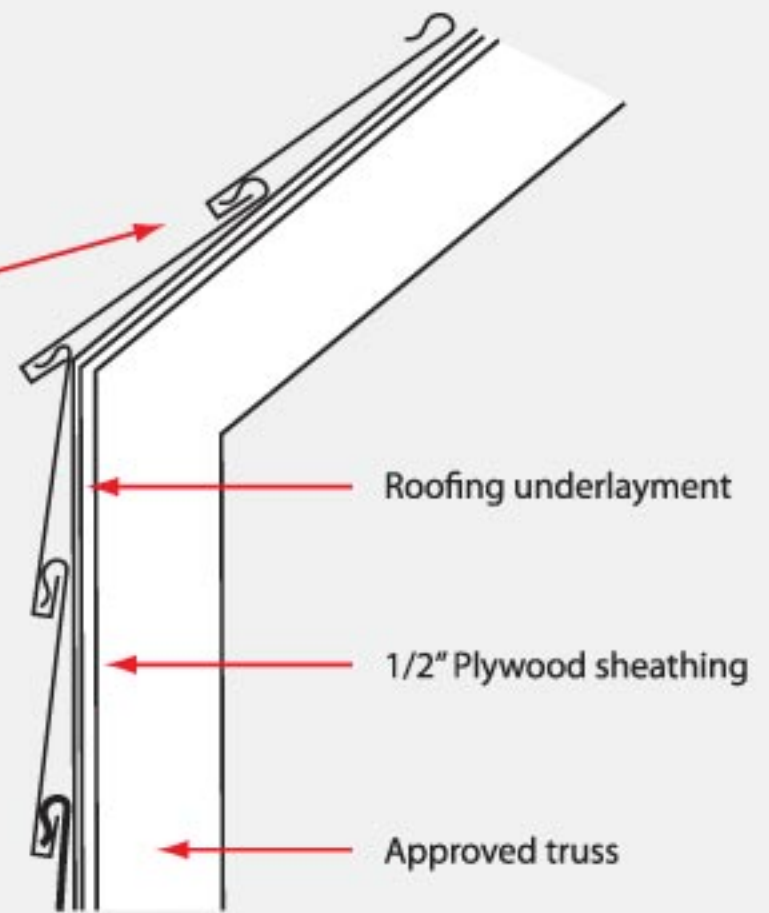
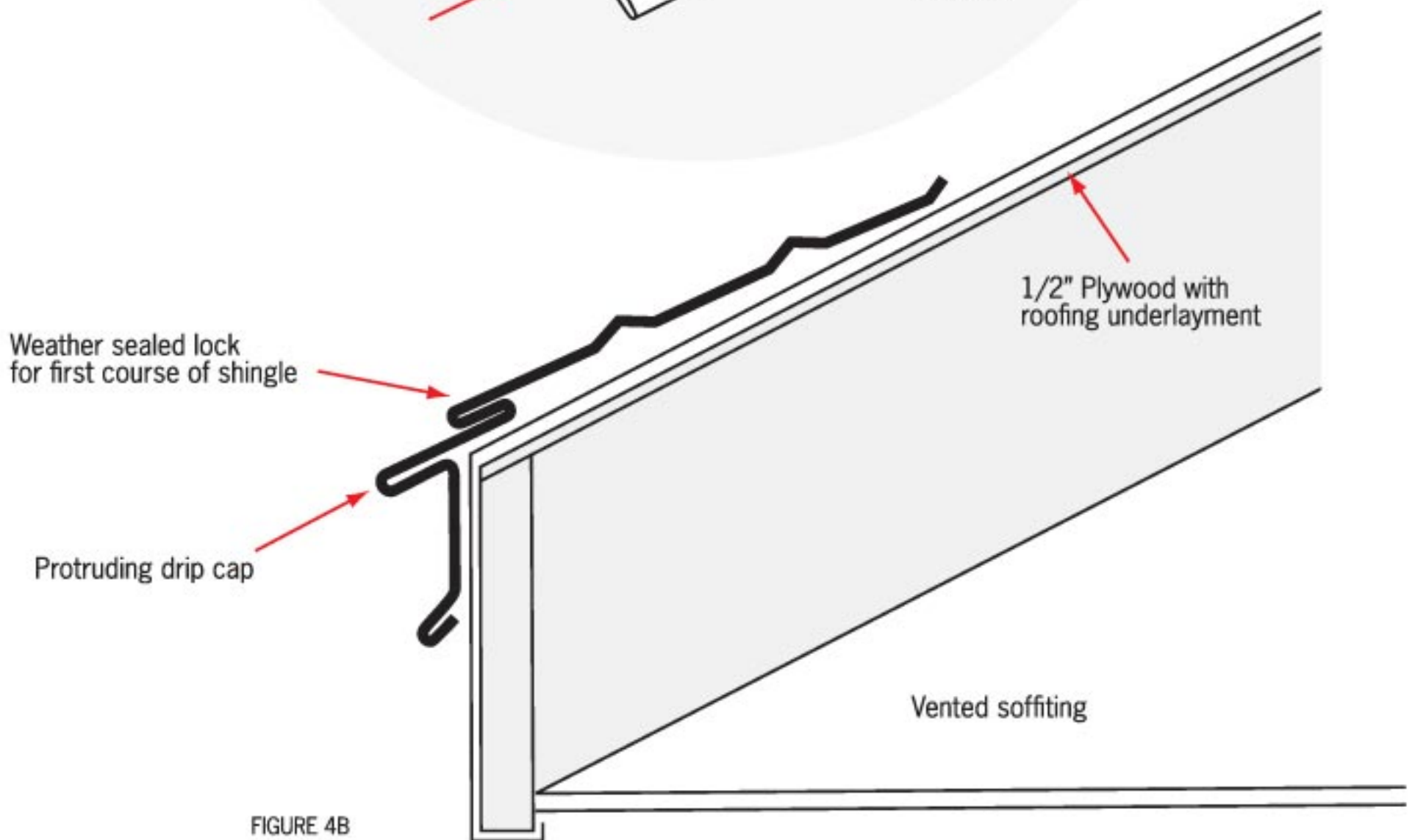
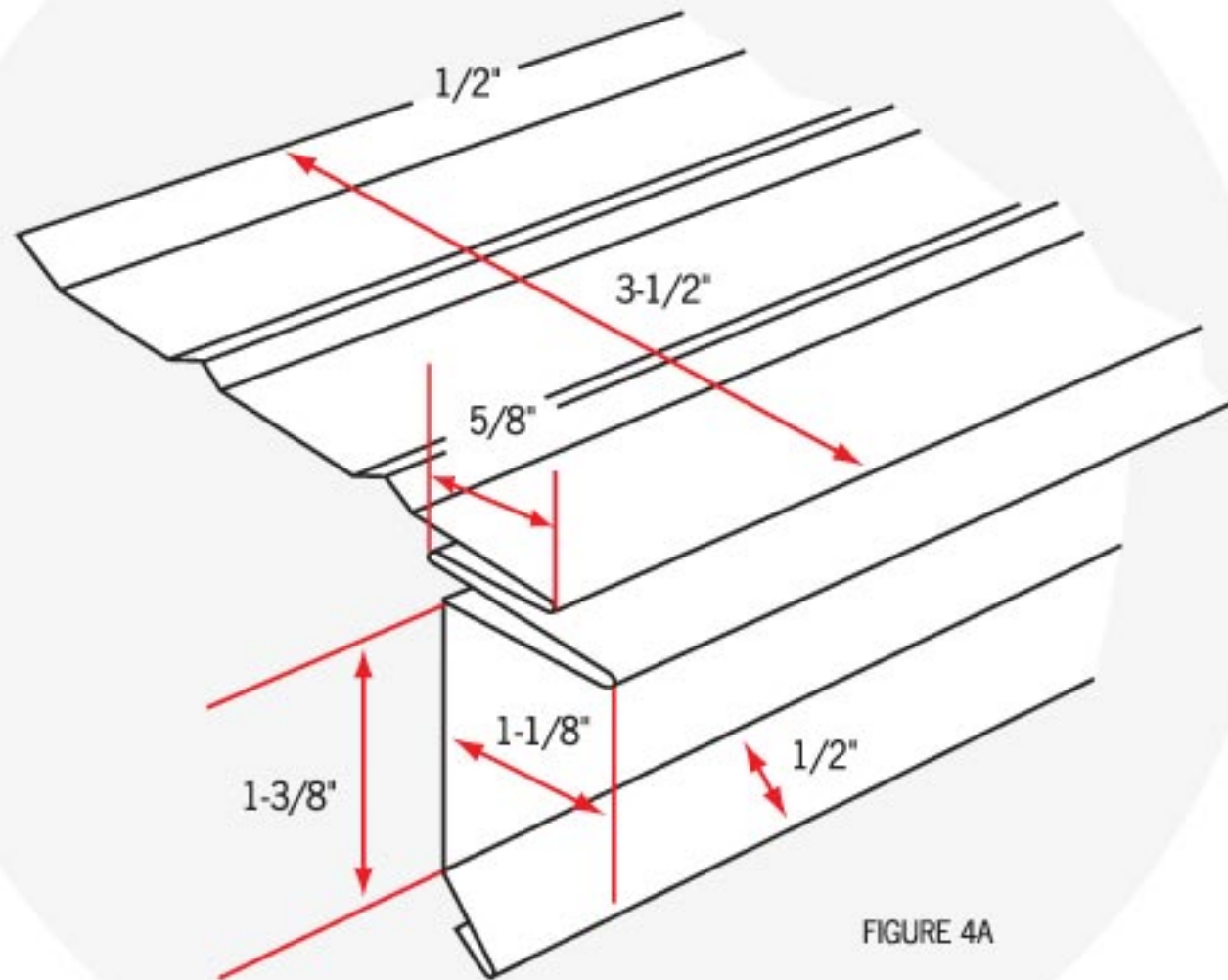


FIGURE 3E

Depending upon the slope of your roof, the direction it faces, geographic, and weather conditions, you may wish to consider using snow guards. Snow guards are designed to help prevent accumulative snowfall from falling onto areas where such an occurrence is undesirable. The snow guards are manufactured from cast aluminum and are designed for installation underneath the shingle utilizing a sturdy, weather-resistant design.

## Starter Gable or Starter Flashing

A specially-designed component that gives a greater degree of rigidity to the starter strip or gable-end, because of the extra fold in the metal. The protruding edge is an effective drip cap further reducing the possibility of capillary seepage.



## Valley Trim

Provides smooth, obstruction-free path for precipitation, no projections to catch debris or snow. Shingles lock into channel providing total weatherproof seal.

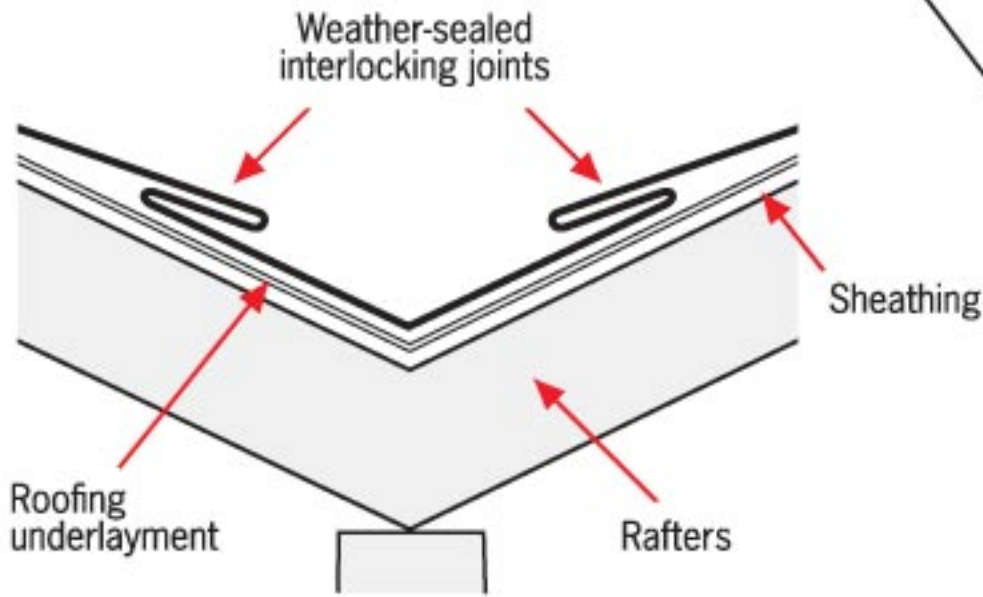


FIGURE 5A

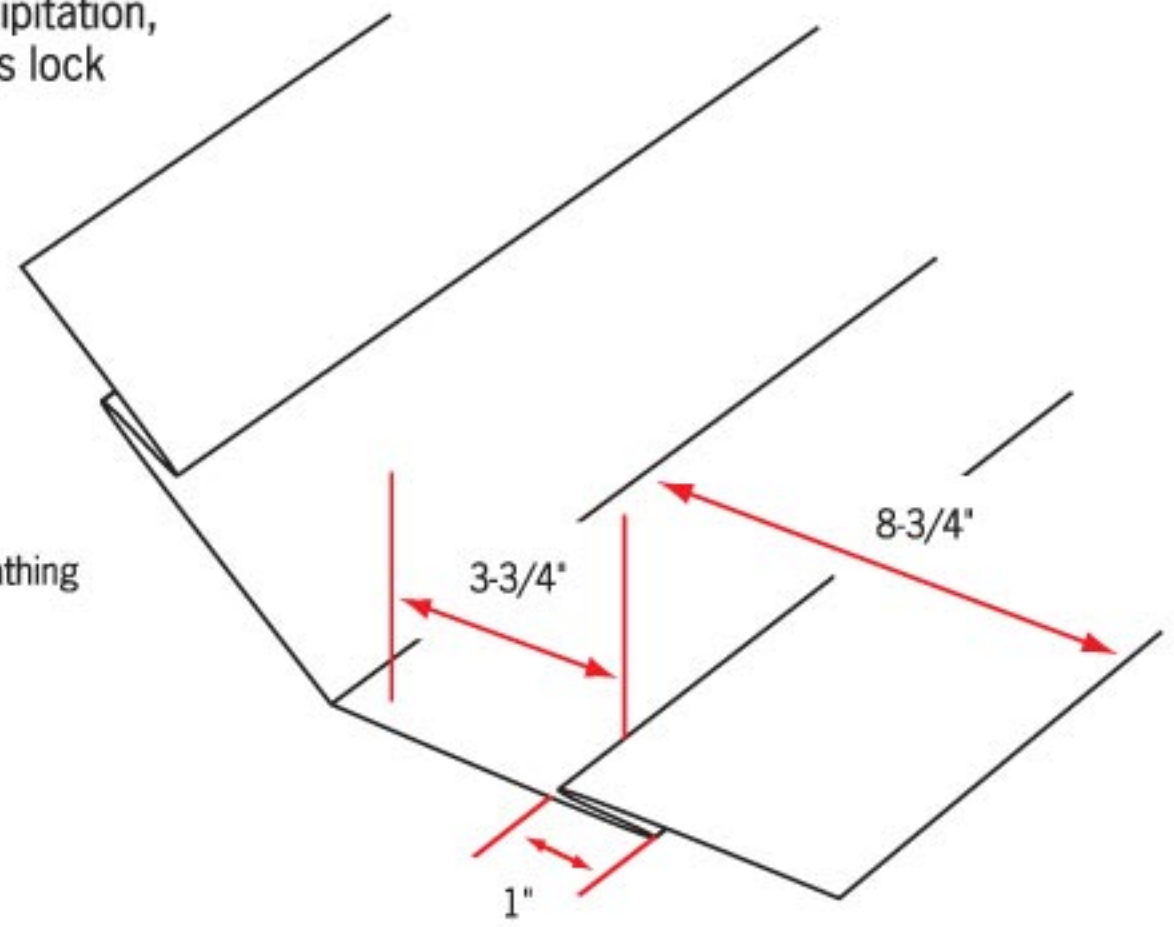


FIGURE 5B

## End Wall / Side Wall

Provides a weather-tight seal around chimneys, end walls, etc. Manufactured in 10' lengths.

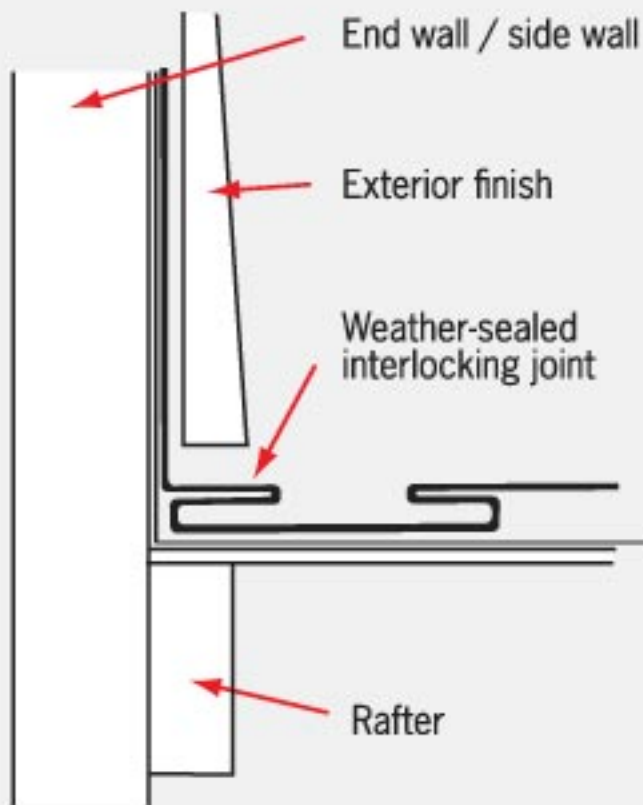


FIGURE 5C

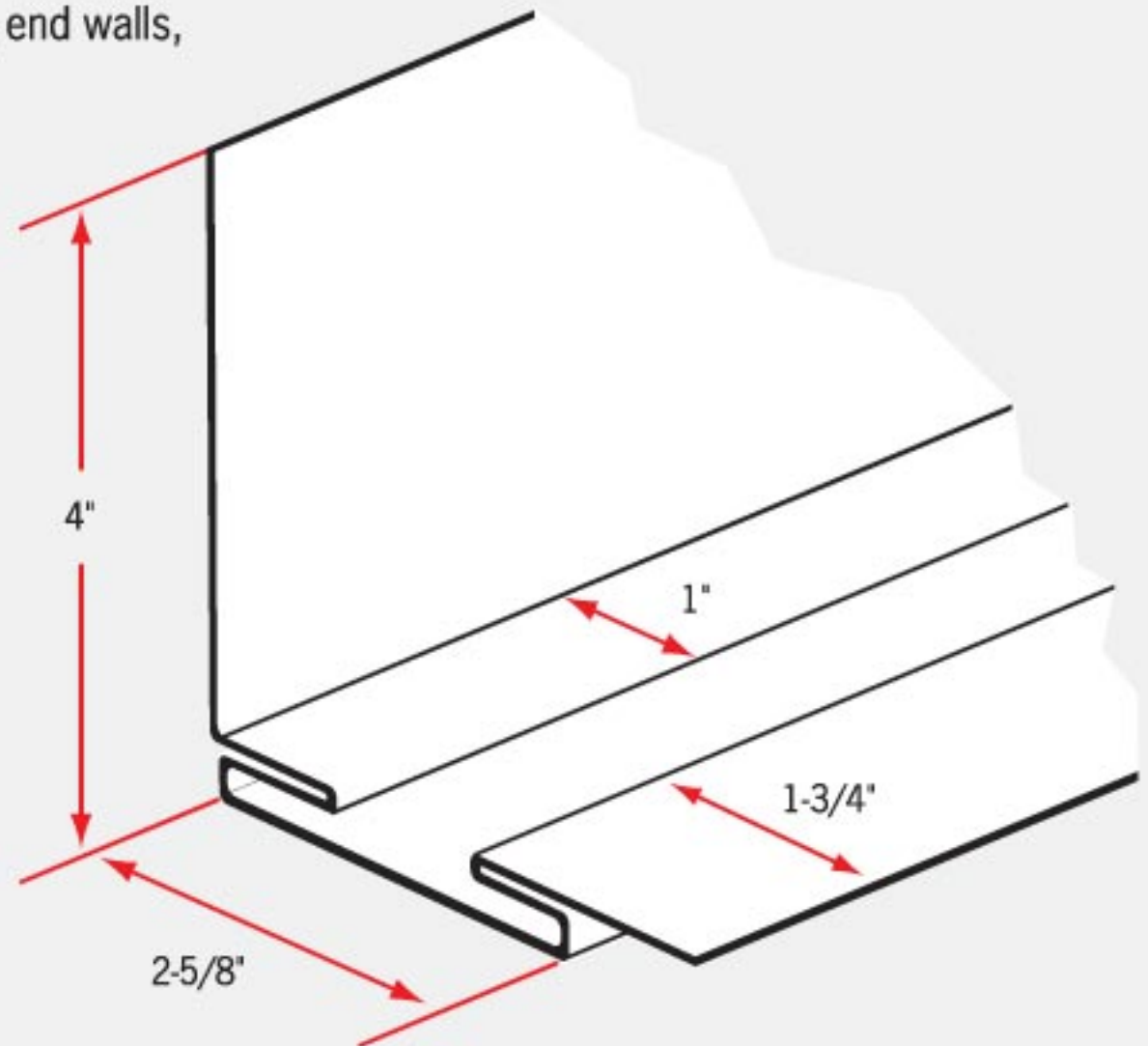
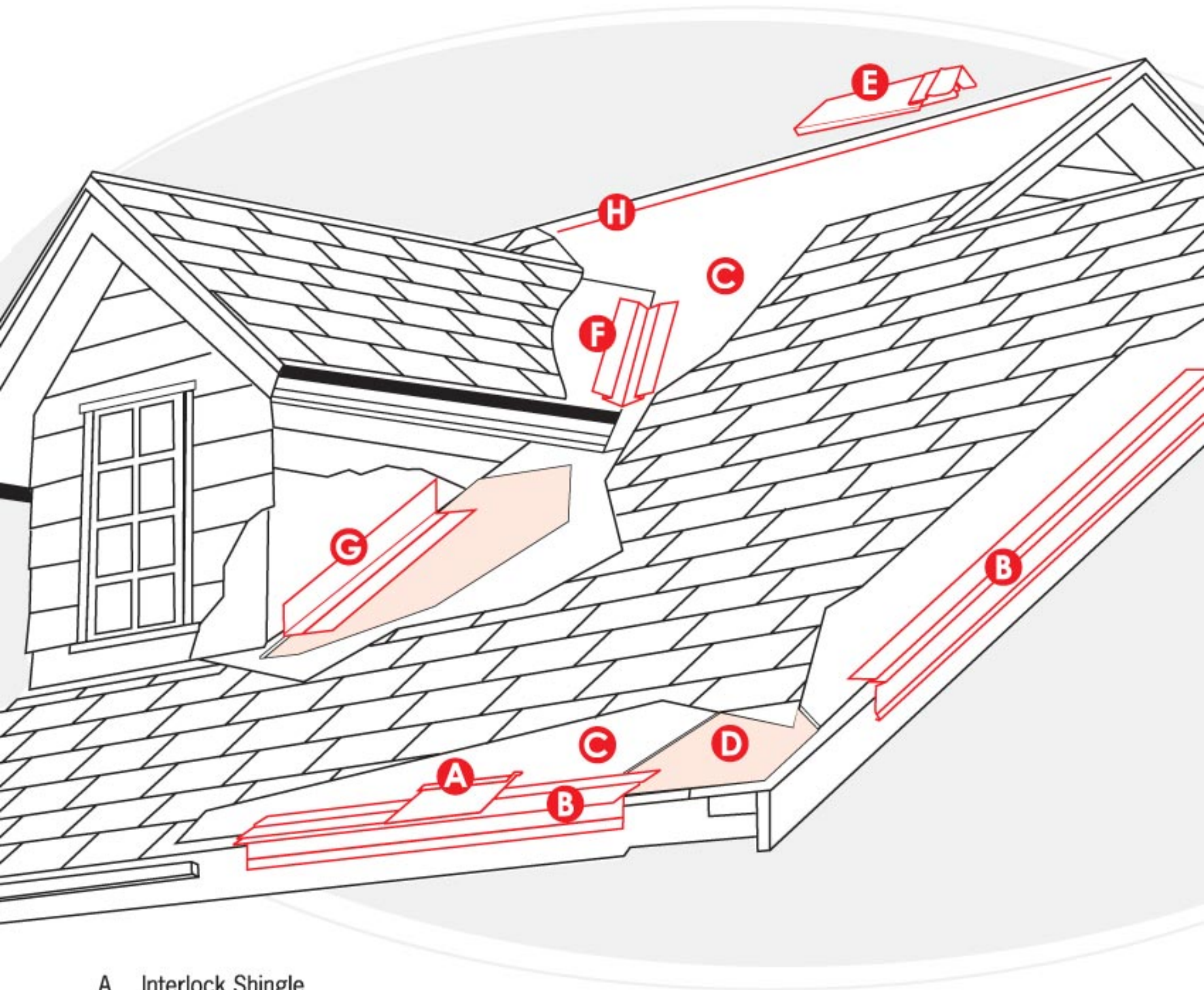


FIGURE 5D

## Ridge Vents

Are also available as an option for additional venting. Ridge venting is installed underneath the ridge caps.



- A Interlock Shingle
- B Starter Gable
- C Polypropylene Underlayment
- D Sheathing
- E Ridge Cap
- F Valley Trim
- G End Wall / Side Wall
- H Ridge Vent

The Best roof for **Planet Earth.**  
The Last roof you will **ever need.**



# Color Guide

Interlock® Roofing Ltd. offers a highly durable aluminum roofing product available in a range of different colors, opening up an extensive palette for homeowners and designers. Interlock® roofs are exclusively protected for a lifetime by Alunar® embedded with Dupont™ Teflon® for ultimate durability and protection.



Aged Copper



Weathered Grey



Solid Copper



Charcoal Grey



Dark Green



Tile Red



Tudor Brown



Black



Royal Blue



Actual product color may differ to that represented on manual.  
Product design and installation technique may vary from manual.